

## Ballscrews

### Rolled Ballscrews

#### 2.2.4 Ballscrew nuts for rolled ballscrews

The ballscrew nuts in the following list are available ex stock in tolerance class T7 and therefore can be delivered with a shorter delivery time.

Non-standard nut types and double nuts for rolled ballscrews as well as differing tolerance classes can be delivered for specific orders. To make this happen, please contact our HIWIN colleagues.

##### 2.2.4.1 Flanged single nut FSCDIN (DIN 69051 Part 5)

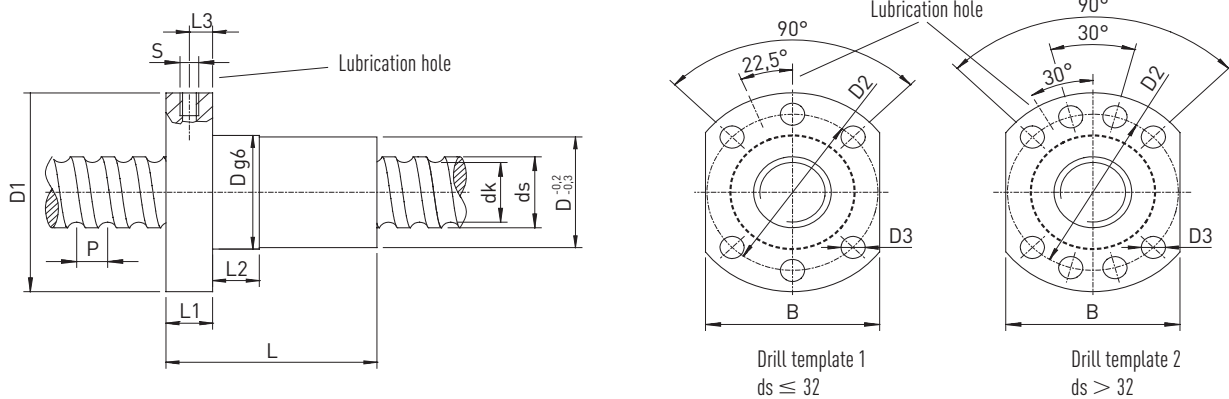


Table 2.4 Dimensions of the nut – Part 1

Article number	ds ±0,1	P	D g6	D1	D2	D3	Drill templ- ate	L	L1	L2	L3	S	B	dk	Dyn. Load C <sub>dyn</sub> [N]	Stat. Load C <sub>0</sub> [N]	Axial play max. [mm]	Mass [kg/pc.]
R16-05K4-FSCDIN	13,8	5	28	48	38	5,5	1	38	10	10	5	M6	40	12,8	12600	21000	0,04	0,17
R16-10K3-FSCDIN	14,6	10	28	48	38	5,5	1	45	10	10	5	M6	40	12,9	9100	19300	0,04	0,19
R16-16K3-FSCDIN	14,4	16	28	48	38	5,5	1	61	12	20	6	M6	40	12,9	9100	19300	0,04	0,30
R20-05K4-FSCDIN	19,5	5	36	58	47	6,6	1	40	10	10	5	M6	44	16,9	13400	32740	0,04	0,29
R20-10K3-FSCDIN	19,3	10	36	58	47	6,6	1	48	10	10	5	M6	44	17,3	10000	23500	0,04	0,32
R20-20K2-FSCDIN	19,5	20	36	58	47	6,6	1	57	10	10	5	M6	44	17,0	6800	15300	0,04	0,36
R20-20K4-DFSCDIN	19,5	20	36	58	47	6,6	1	57	10	10	5	M6	44	17,0	12300	30500	0,04	0,36
R25-05K4-FSCDIN	24,9	5	40	62	51	6,6	1	43	10	12	5	M6	48	22,3	14900	41500	0,04	0,31
R25-10K4-FSCDIN	24,4	10	40	62	51	6,6	1	61	10	16	5	M6	48	21,8	15900	40400	0,04	0,39
R25-25K2-FSCDIN	24,7	25	40	62	51	6,6	1	70	10	16	5	M6	48	22,0	7400	19100	0,04	0,43
R25-25K4-DFSCDIN	24,7	25	40	62	51	6,6	1	70	10	16	5	M6	48	22,0	13500	38200	0,04	0,43
R32-05K6-FSCDIN	31,7	5	50	80	65	9,0	1	48	12	10	6	M6	62	29,1	23900	81900	0,04	0,59
R32-10K5-FSCDIN	31,8	10	50	80	65	9,0	1	77	12	16	6	M6	62	28,6	31500	80100	0,04	1,02
R32-20K3-FSCDIN	31,8	20	50	80	65	9,0	1	88	12	16	7	M6	62	28,7	17000	48500	0,04	1,02
R32-32K2-FSCDIN	31,9	32	50	80	65	9,0	1	88	12	20	6	M6	62	28,7	11600	31800	0,04	1,20
R32-32K4-DFSCDIN	31,9	32	50	80	65	9,0	1	88	12	20	6	M6	62	28,7	20600	62200	0,04	1,33
R40-05K6-FSCDIN	39,4	5	63	93	78	9,0	2	50	14	10	7	M8 × 1	70	36,7	25900	100600	0,04	1,10
R40-10K4-FSCDIN	37,8	10	63	93	78	9,0	2	70	14	16	7	M8 × 1	70	32,9	45000	123000	0,04	1,25
R40-20K3-FSCDIN	37,8	20	63	93	78	9,0	2	88	14	16	7	M8 × 1	70	32,9	34850	90000	0,07	1,45
R40-40K2-FSCDIN	37,8	40	63	93	78	9,0	2	102	14	16	7	M8 × 1	70	32,9	23000	58400	0,07	1,60
R40-40K4-DFSCDIN	37,8	40	63	93	78	9,0	2	102	14	16	7	M8 × 1	70	32,9	41500	115800	0,07	1,60

Table 2.4 Dimensions of the nut – Part 2

Article number	ds ±0,1	P	D g6	D1	D2	D3	Drill templ- ate	L	L1	L2	L3	S	B	dk	Dyn. Load C <sub>dyn</sub> [N]	Stat. Load C <sub>0</sub> [N]	Axial play max. [mm]	Mass [kg/pc.]
<b>R50-05K6-FSCDIN</b>	49,3	5	75	110	93	11,0	2	50	16	10	8	M8 × 1	85	46,8	28300	127200	0,07	1,30
<b>R50-10K6-FSCDIN</b>	47,9	10	75	110	93	11,0	2	90	16	20	8	M8 × 1	85	44,9	74500	250000	0,07	2,20
<b>R50-20K5-FSCDIN</b>	48	20	75	110	93	11,0	2	132	18	25	9	M8 × 1	85	45,5	67200	217500	0,07	2,50
<b>R50-40K3-FSCDIN</b>	50,3	40	75	110	93	11,0	2	149	18	45	9	M8 × 1	85	45,0	39000	123000	0,07	3,30
<b>R50-40K6-DFSCDIN</b>	50,3	40	75	110	93	11,0	2	149	18	45	9	M8 × 1	85	45,0	70300	242600	0,07	3,37
<b>R63-10T6-FSIDIN</b>	63,1	10	90	125	108	11,0	2	120	18	16	9	M8 × 1	95	58,0	61920	214090	0,07	3,10

- DIN nuts for rolled ballscrew spindles
- Mating dimensions to DIN 69051 Part 5
- Nuts with polyamide wipers
- Precision ground ball grooves
- Reduced axial play on request
- FSC DIN: total return
- FSI DIN: single return

Order example: **R** **25** **10** **K4** **FSCDIN** **650** **730** **0,052**

