

Linear Actuator

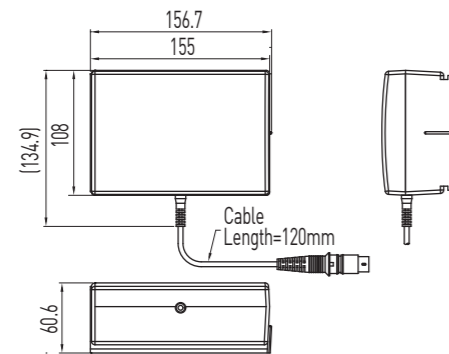
10. Battery

10-1. HIWIN Battery

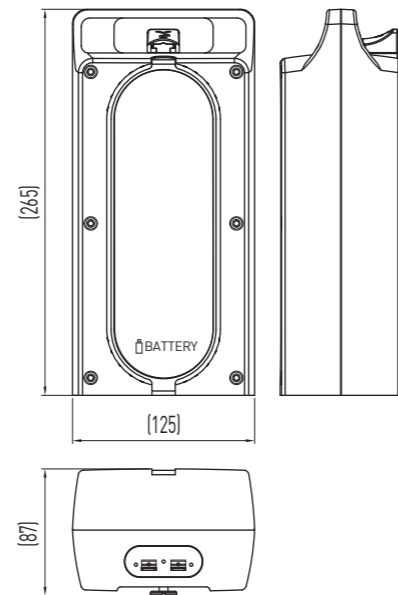
LAKB



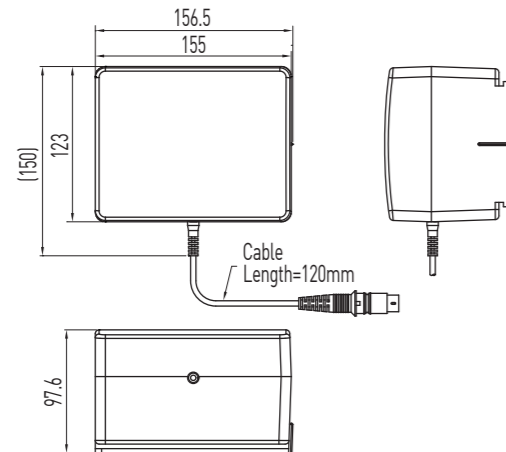
Battery: LAKB-1



Battery: LAKB-3



Battery: LAKB-2

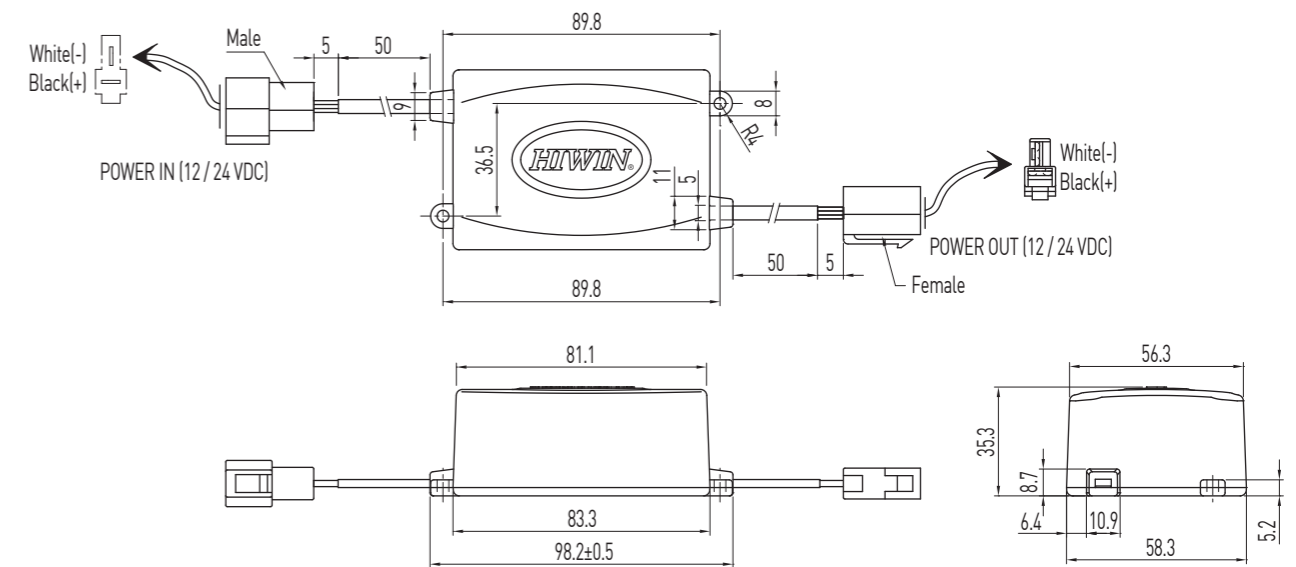


Linear Actuator

11. Over Current Protection Box

11-1. HIWIN Over Current Protection Box

LAKC1-1



Ordering Information

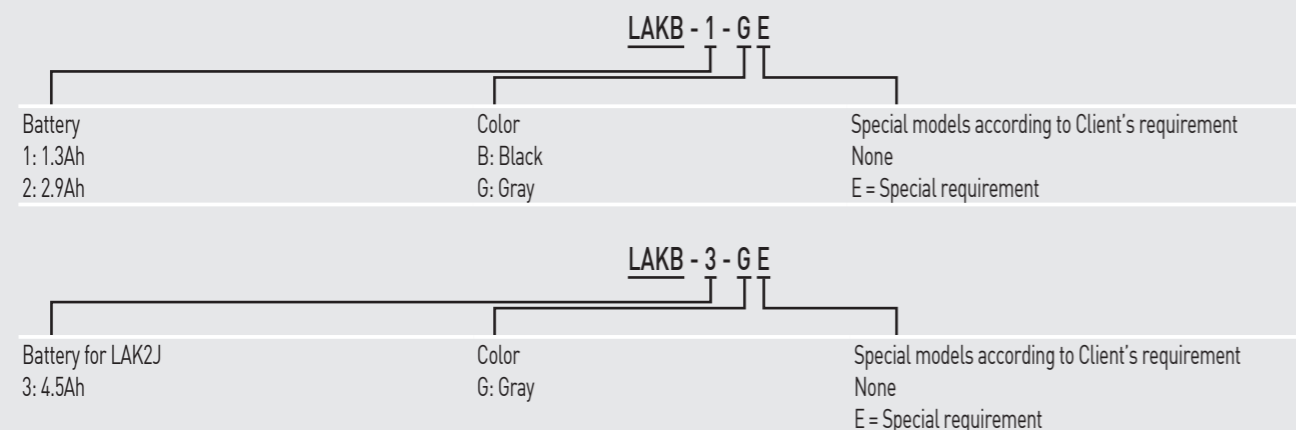


Table 11.1 Specifications

Input voltage	12/24VDC
Output power	12/24VDC
Duty cycle	10%
Protection	IP54
Working temp.	+5°C~40°C

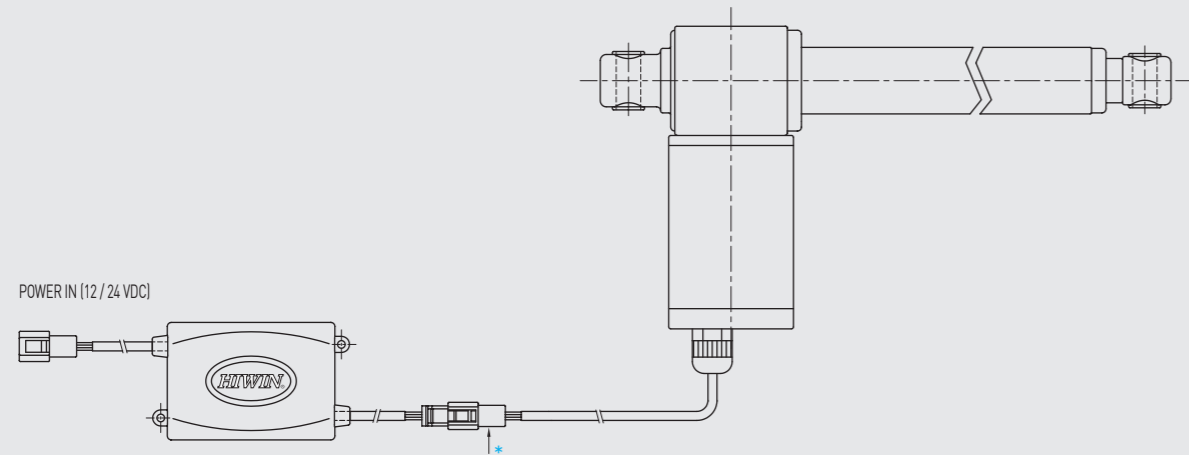
Option:

(1) IP66

Features of LAKC1-1

- Compact size
- Low cost
- Easy to use
- Multiple over - current settings available
- Fast response time

For Series



* When purchasing an actuator to be connected with the LAKC1, please inform the Hiwin sales representative.

Ordering Information

Model number	Input (Output) Voltage	Over Current Setting	Color	Special models according to Client's requirement
	12: 12VDC 24: 24VDC	12V: 2: 2A 3: 3A 4: 4A 5: 5A 6: 6A 8: 8A 10: 10A 12: 12A 18: 18A	24V: 2: 2A 2.5: 2.5A 3: 3A 4: 4A 5: 5A 6: 6A 7: 7A 8: 8A 9: 9A 10: 10A	B : Black G: Gray E=Ignore this part of the serial number if not available

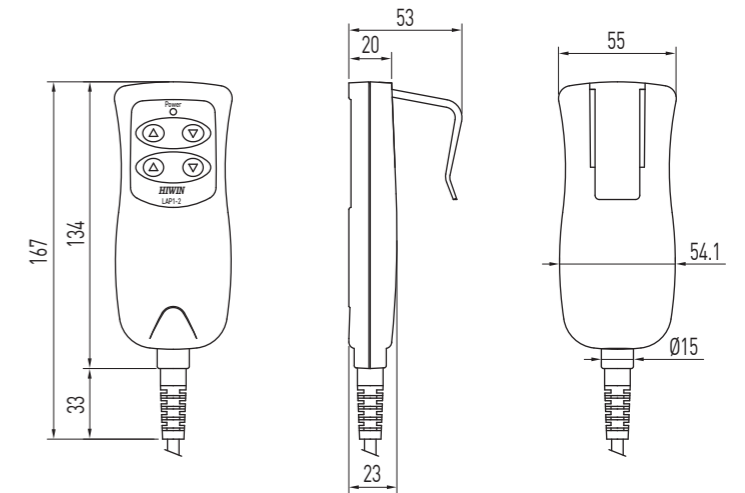
LAKC1 - 1 - 12 - 6 G E

Linear Actuator

12. Keypad Series

12-1. HIWIN Keypad Series

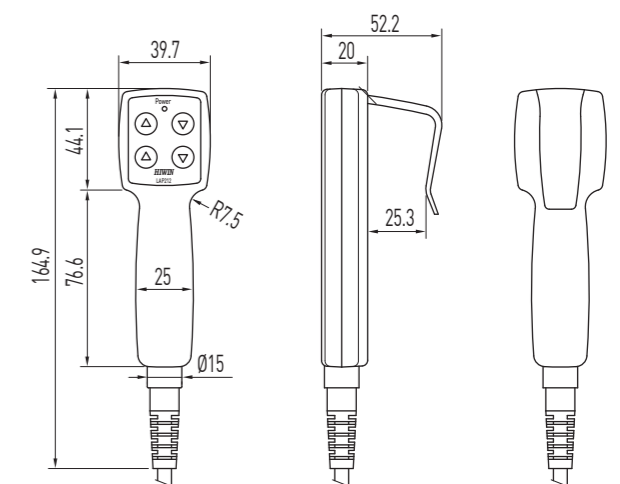
LAP1



Features of the LAP1

- Controls a maximum of 2 Actuators
- Compatible with the LAK2, LAK4D, LAK2LN, LAK2D, & the LAK6B
- Ergonomic design
- Standard cable length: coil 600mm; total 1100mm
- Protection: IP66

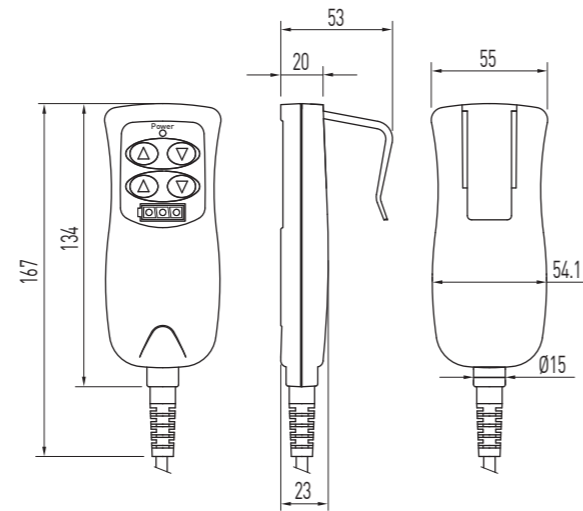
LAP2



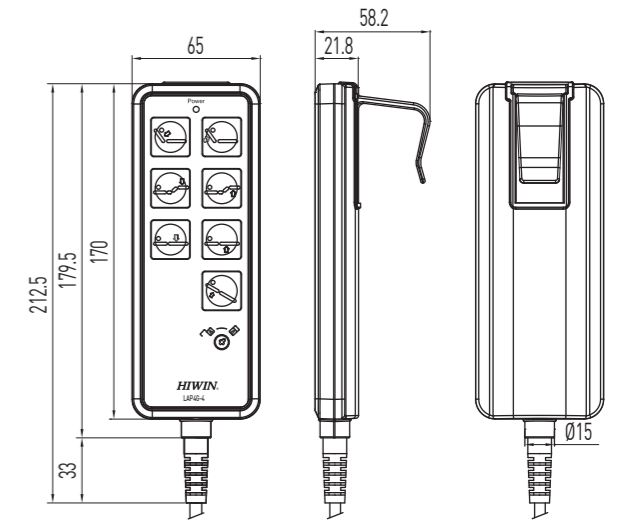
Features of the LAP2

- Control maximum of 2 Actuators
- Compatible with LAK2, LAK2D
- Ergonomic design and small size
- Standard cable length: coil 600mm; total 1100mm
- Protection: IP66

LAP3



LAP4G



Features of the LAP3

- Control maximum of 2 Actuators
- Compatible with LAK2J
- Ergonomic design
- Standard cable length: coil 600mm; total 1100mm
- LED for battery capacity
- Protection: IP66

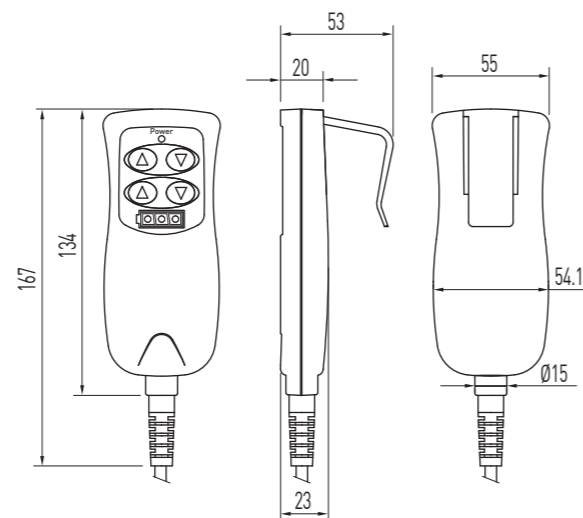
Features of the LAP4G

- Control maximum of 6 Actuators
- Compatible with LAK4D, LAK6B
- Ergonomic design
- Standard cable length: coil 600mm; total 1100mm
- Protection: IP66
- With lock function

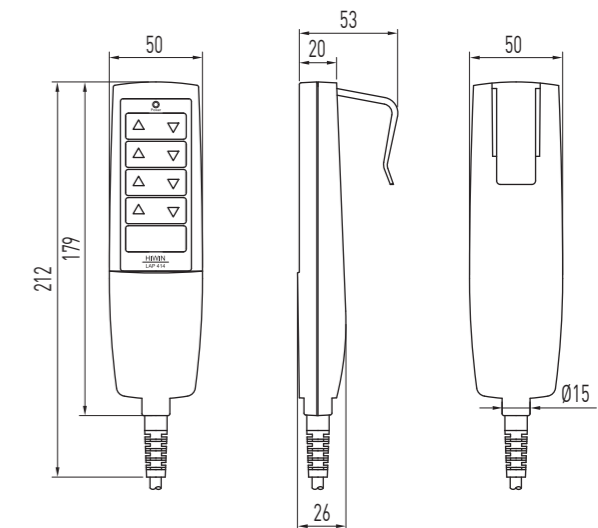
Option:

- (1) UL version
- (2) Cable length: coil 600mm; total 2250mm

LAP3N



LAP4N



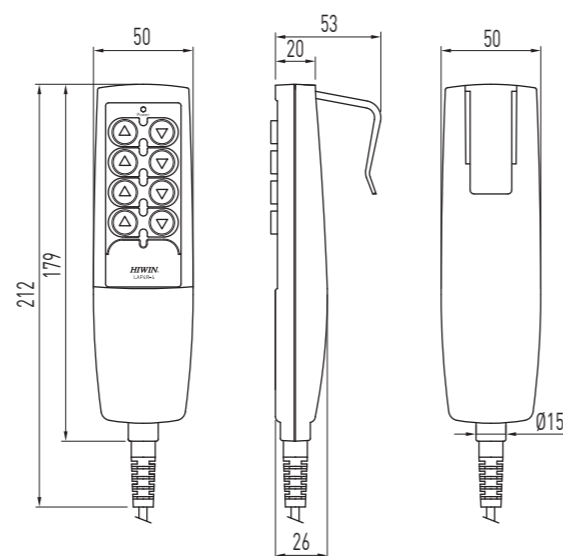
Features of the LAP3N

- Control maximum of 2 Actuators
- Compatible with LAK2BN
- Ergonomic design
- Standard cable length: coil 600mm; total 1100mm
- LED for battery capacity
- Protection: IP66
- *Option: Cable length: coil 600mm; total 2250mm

Features of the LAP4N

- Control maximum of 4 Actuators
- Compatible with LAK4D, LAK6B
- Ergonomic design
- Standard cable length: coil 600mm; total 1100mm
- Protection: IP66
- * Option: Cable length: Coil 600mm; total 2250mm

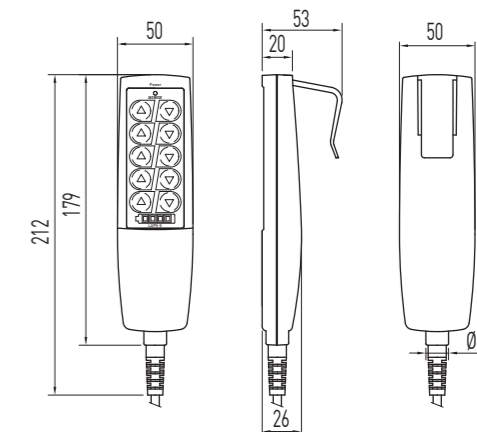
LAP4R



Features of the LAP4R

- Control maximum of 4 Actuators
- Compatible with LAK4D, LAK2J, LAK6B
- Ergonomic design
- Standard cable length: coil 600mm; total 1100mm
- Protection: IP66
- * Option: Cable length: coil 600mm; total 2250mm

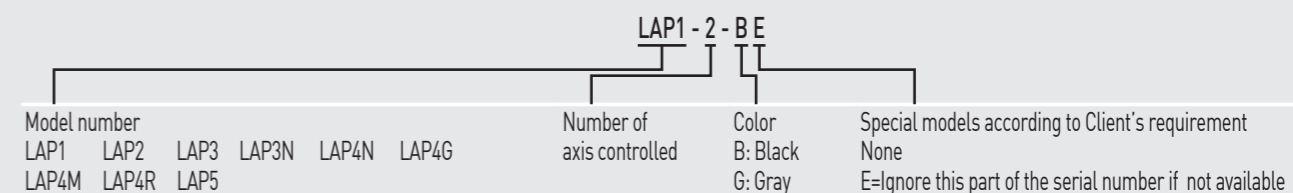
LAP5



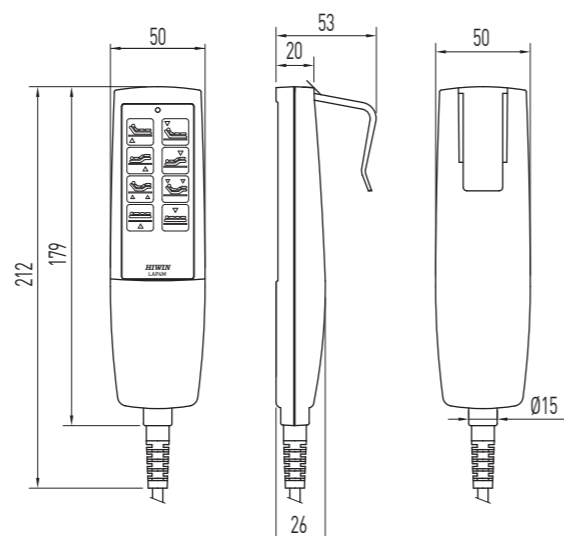
Features of the LAP5

- Control maximum of 5 Actuators
- Compatible with LAK6B, LAK2J
- Ergonomic design
- Standard cable length: coil 600mm; total 1100mm
- Protection: IP66

Ordering Information



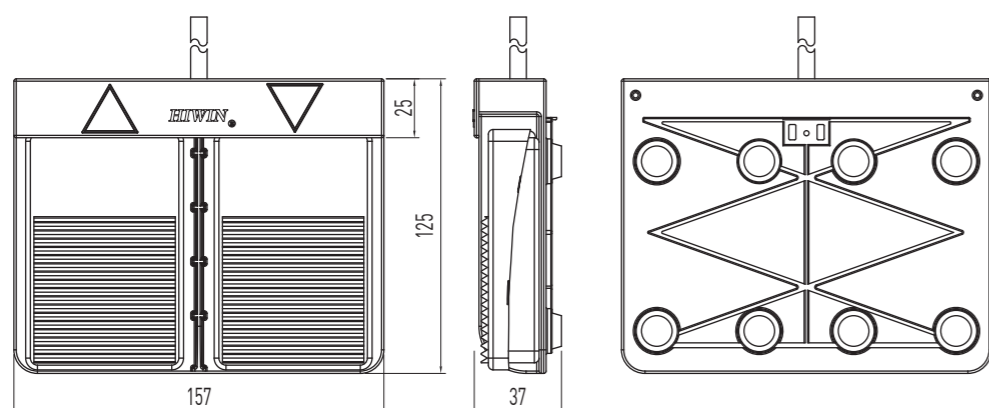
LAP4M



Features of the LAP4M

- Control maximum of 4 Actuators
- Compatible with LAK4D
- Ergonomic design
- Standard cable length: coil 600mm; total 1100mm
- Protection: IP66
- * Option: Cable length: coil 600mm; total 2250mm

LAFS1

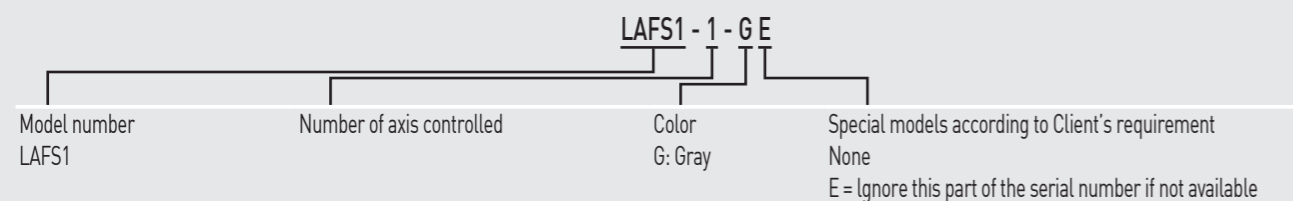


Features of the LAFS1

- Controls 1 Actuator
- Compatible with all controllers
- * Notice the type of controller

- Easily portable with attached magnet
- Standard cable length: coil 600mm; total 1100mm

Ordering Information

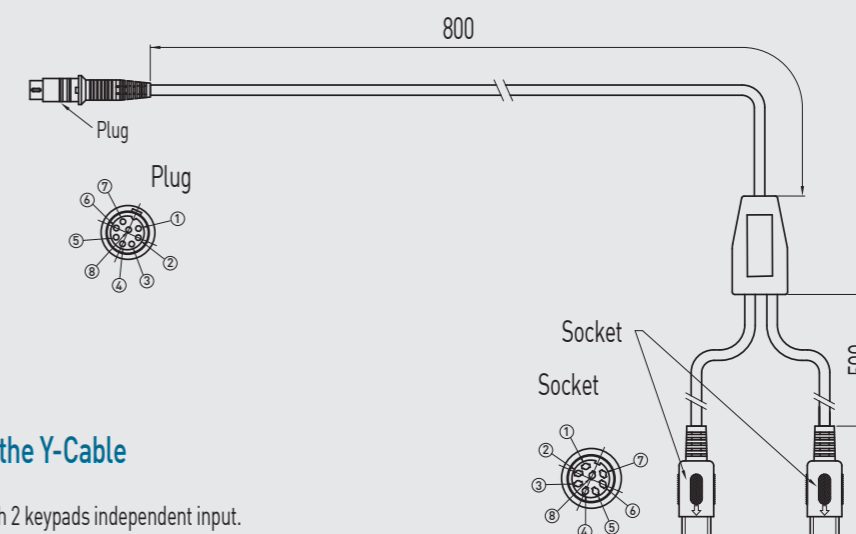


Linear Actuator

13.Options for each type

13-1. Standard Cable length of the actuator

Item	Type	Standard cable length(Straight line)			Cable diagram
		Normal length (L)			
1	LAM1	1M	1.5M	2M	<p>(Bare Wire-Standard)</p>
2	LAM2				
3	LAM3				
4	LAS1				<p>(DIN 4 PIN Connector)</p>
5	LAS2				
6	LAS3				
7	LAS4				
8	LAN1				
9	LAN3A				
10	LAN4				
11	LAN5				
12	LAC1				
13	LAN5 Coil				



Features of the Y-Cable

- Compatible with 2 keypads independent input.

LAPY - 1 - G E

Model of Y extension cable LAPY	Cable 2: Straight cable	Color B: Black	Special models according to Client's requirement None E = Ignore this part of the serial number if not available
------------------------------------	----------------------------	-------------------	--

13-2. HIWIN Options for each Actuator Type

Series	Function	IP54	IP65	IP66	Back fixture turn 90°	Rod end with flat connector	Safety nut	Spline (push only)	Quick release	Internal limit switches	External limit switches	Hall Sensor			Potentiometer	MR Sensor	
												NPN	PNP	TTL		NPN	
LAM1	LAM1-1	●	▲		▲						▲						
	LAM1-2	●	▲		▲						▲						
	LAM1-1A	●	▲		▲						▲						
LAM2	LAM2-1	●		▲	▲	●		▲		●	▲						▲
	LAM2-2	●		▲	▲	●		▲		●	▲						▲
	LAM2-3	●		▲	▲	●		▲		●	▲						▲
LAM3	LAM3-1	●		▲	▲		▲			●							
	LAM3-2	●		▲	▲		▲			●							
	LAM3-4	●		▲	▲		▲			●							
LAS1	LAS1-1	●		▲	▲	▲				●	▲						
	LAS1-2	●		▲	▲	▲				●	▲						
LAS2	LAS2-1	●		▲	▲	▲				●	▲	■	■	■	■		
LAS3	LAS3-1	●		▲	▲	▲				●	▲	■	■	■	■		
	LAS3-2	●		▲	▲	▲				●	▲	■	■	■	■		
LAS4	LAS4-1	●	▲							●		▲		▲			
	LAS4-2	●	▲							●		▲		▲			
LAN1	LAN1-1	●		▲	▲		▲	▲	▲	●		▲		▲			
	LAN1-2	●		▲	▲		▲	▲	▲	●		▲		▲			
	LAN1-3	●		▲	▲		▲	▲	▲	●		▲		▲			
LAN3A	LAN3A-1	●		▲	▲		▲	▲	▲	●	▲				▲		▲
	LAN3A-2	●		▲	▲		▲	▲	▲	●	▲				▲		▲
	LAN3A-3	●		▲	▲		▲	▲	▲	●	▲				▲		▲
	LAN3A-4	●		▲	▲		▲	▲	▲	●	▲				▲		▲
LAN4	LAN4-1	●		▲			▲	▲									
	LAN4-2	●		▲			▲	▲									
	LAN4-3	●		▲			▲	▲									
	LAN4-4	●		▲			▲	▲									
LAN5	LAN5-1	●	◆	■	▲		▲	▲	▲	●		▲		▲			
	LAN5-2	●	◆	■	▲		▲	▲	▲	●		▲		▲			
	LAN5-3	●	◆	■	▲		▲	▲	▲	●		▲		▲			
	LAN5-4	●	◆	■	▲		▲	▲	▲	●		▲		▲			
LAC1	LAC1-1	●								●		■		■	■		

● " Standard
 ▲ " Option is available.
 ◆ " ■ " Only 1 option is available.

13-3. HIWIN Option for each Controller Type

Function	Type	LAK2LN	LAK2	LAK2BN	LAK2D	LAK2J	LAK4D	LAK6B
IP54		●	●	●	●	●	●	●
IP65								
IP66		▲	▲	▲	▲		▲	▲
Input Voltage	DC 12V		■					
	DC 24V		■			●		
	AC 100V	■	■	■	■		■	■
	AC 110V	■	■	■	■		■	■
	AC 120V	■	■	■	■		■	■
	AC 220V	■	■	■	■		■	■
	AC 230V	■	■	■	■		■	■
Output Power (24V)	72.5VA						●	■
	108VA	●	●		●			
	144VA						■	■
	216VA						■	●
Max. control axis no.	1	2	2	2	2	4	6	
Over load protection	●	●	●	●				●
Relay protection			●	●	●	●		●
Battery	9V alkaline				▲			
	1.3Ah (Lead Acid)			■				●
	2.9Ah (Lead Acid)			■				
	4.5Ah (Lead Acid)					●		
Charge function			●		▲		●	
Energy saving			●		●		●	
Custom program			▲		▲		▲	
Control external limit switch	●		▲					▲
Mounted with actuator					●		●	
Detachable cable retainer							●	
Removable AC power cable							●	●

● " Standard
 ▲ " Option is available.
 ◆ " ■ " Only 1 option is available.