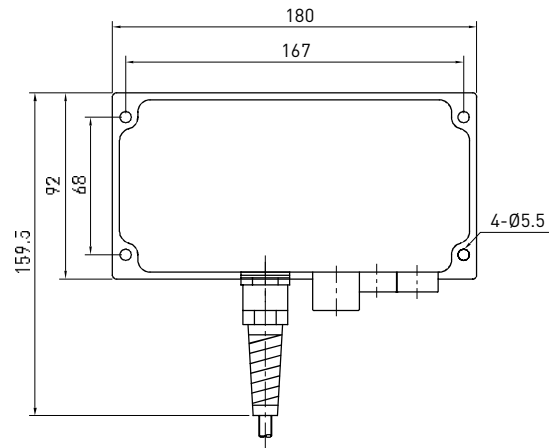


## 11.

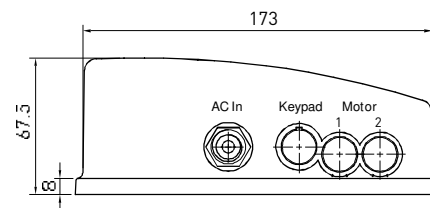
# HIWIN 2-Axis Controller

LAK2



Input voltage	AC 100/110/220/230V
Output power	108VA(24VDC)max
Duty cycle	10%
Working temp.	+5°C~40°C
Protection*	IP54

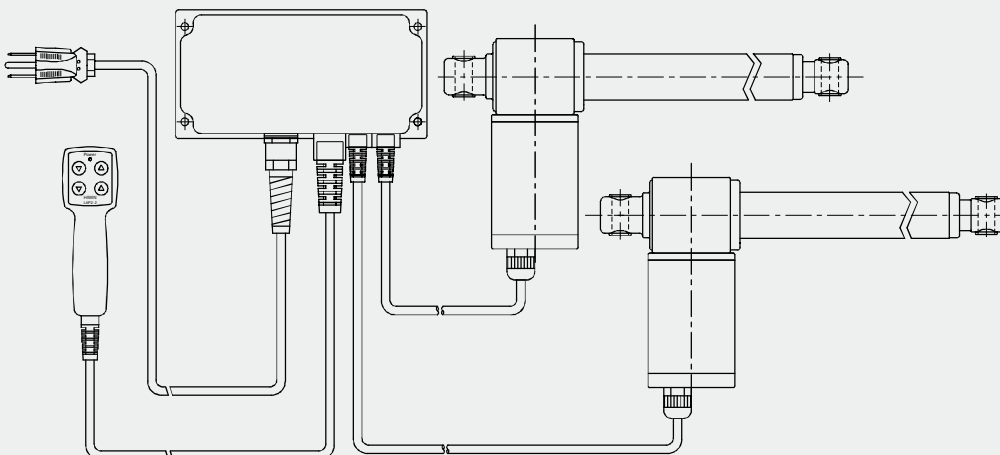
- \* Option: (1) IP66
- (2) DC 12V In & Out
- (3) DC 24V In & Out



### • Features of LAK2

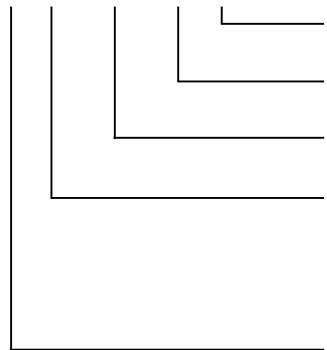
- Control 1 or 2 Linear Actuators
- Over load protection
- Standard cable length: AC:4M/DC:1M
- Electronic protection of the relays

### • For Series LAS, LAS3, LAS4, LAM, LAN1, LAN2



• Ordering Information

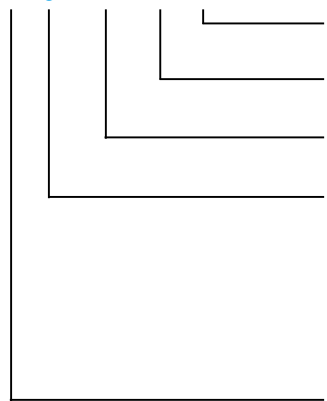
LAK2 - B 0 - 110 - B E



Special models according to Client's requirement	None E=Special requirement
Color	B: Black G: Gray
Input Voltage	100: AC100V; 110: AC110V 220: AC220V; 230: AC230V
Actuator No. 2	0: None A: LAS4-1 B: LAS-1; LAS3-1 C: LAS-2; LAS3-2; LAS4-2 E: LAN4-3/-4 F: LAN4-1/-2 G: LAM-1/-2/-1A; LAN2
Actuator No. 1	A: LAS4-1 B: LAS-1; LAS3-1 C: LAS-2; LAS3-2; LAS4-2 E: LAN4-3/-4 F: LAN4-1/-2 G: LAM-1/-2/-1A; LAN2

\* Check attached table for over current setting...see page 53.

LAK2 - E 0 - 12 - B E



Special models according to Client's requirement	None E=Special requirement
Color	B: Black G: Gray
Input Voltage	12: 12VDC 24: 24VDC
Actuator No. 2	0: None A: LAS4-1 B: LAS-1; LAS3-1 C: LAS-2; LAS3-2; LAS4-2 E: LAS-1(12V); LAS3-1(12V); LAS4-1(12V) F: LAS-2(12V); LAS3-2(12V) G: LAM-1/-2/-1A; LAN2 L: LAN1-1/-2/-3(12V); LAM-1/-2/-1A)
Actuator No. 1	A: LAS4-1 B: LAS-1; LAS3-1 C: LAS-2; LAS3-2; LAS4-2 E: LAS-1(12V); LAS3-1(12V); LAS4-1(12V) F: LAS-2(12V); LAS3-2(12V) G: LAM-1/-2/-1A; LAN2 L: LAN1-1/-2/-3(12V); LAM-1/-2/-1A

\* Standard cable: 1M in length with 3 flying lead termination.

\* Check attached table for over current setting...see page 53.